

Specification

Product ID
 VED / 0036

Description

CT 30 N2/01 Mild Steel Counter Terror Side Folding Hydraulic Bollard - 219mm.

The CT30 N2/01 Side Folding Hydraulic Bollard is a high security bollard designed to mitigate a vehicle attack at 48kph. The bollard has been successfully tested and approved by the CPNI. Bollard lid has a gas strut and handle top assist with lifting and a mechanical lock. 2No. Bollards back to back will give a 4m clear opening.

The product is PAS68:2010 approved to the following classifications:

30mph Test - Fixed Bollard: V/7500[N2]/48/90:0.0/1.5

Additional cost sleeve options are available if required. These include Stainless Steel or Perma-cast Polymer (Standard or Bespoke Designs) Sleeves.

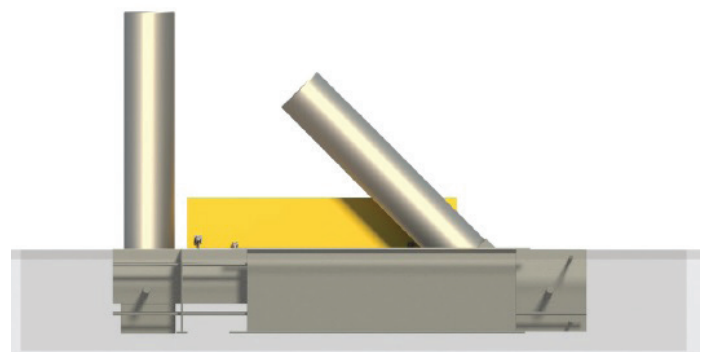
Installation

For advice about installation of this product, please contact our sales office.

Dimensions

If dimensions are critical please contact sales to confirm

Brand:	Counter Terror Hydraulic Bollard
Category:	Vehicle Defence
Sub Category:	Below Ground
Material:	Mild Steel
Max Dia:	219mm
Above Ground Height:	925mm
Below Ground:	300mm
Foundation:	PAS68 Reinforced Concrete Foundation
Units:	2No. Folding & 2No. Static Per Unit



Policy

Townscape's policy is one of continuous development, and we reserve the right to modify design specification or price without notice. The copyright, design rights and other intellectual property rights in the products and drawings shown and in the text displayed are the property of Townscape Products Limited.

All sizes and weights are nominal and the Company reserves the right to modify dimensions without notice. If dimensions or weights are critical please state when ordering.

